

The data to be read in conjunction with the Hydrogen Thyatron Preamble.

ABRIDGED DATA

Flange mounted ruggedised hydrogen-filled triode thyatron, positive grid, for pulse operation. A hydrogen reservoir is incorporated.

Peak forward anode voltage 18 kV max
 Peak anode current 325 A max
 Average anode current 500 mA max
 Anode heating factor..... 3.9×10^9 VApps max
 Peak output power..... 2.6 MW max

GENERAL

Electrical

Cathode (connected internally to one end of heater)..... oxide coated
 Heater voltage $6.3 \pm 5\%$ V
 Heater current..... 10.6 A
 Tube heating time (minimum) 3.0 min

Mechanical

Seated height..... 194.0 mm (7.638 inches) max
 Clearance required below mounting flange..... 31.75 mm (1.250 inch) min
 Overall diameter (excluding mounting flange) 65.1 mm (2.563 inches) max
 Net weight..... 400 g (14 ounces) approx
 Mounting position..... any
 Tube connections see outline
 Top cap..... BS448-CT3
 Top cap connector MA359

Cooling natural



Whilst e2v technologies has taken care to ensure the accuracy of the information contained herein it accepts no responsibility for the consequences of any use thereof and also reserves the right to change the specification of goods without notice. e2v technologies accepts no liability beyond the set out in its standard conditions of sale in respect of infringement of third party patents arising from the use of tubes or other devices in accordance with information contained herein.

e2v technologies (uk) limited, Waterhouse Lane, Chelmsford, Essex CM1 2QU United Kingdom Holding Company: e2v technologies plc

Telephone: +44 (0)1245 493493 Facsimile: +44 (0)1245 492492

Contact e2v by e-mail: enquiries@e2v.com or visit www.e2v.com for global sales and operations centres.

PULSE MODULATOR SERVICE

MAXIMUM AND MINIMUM RATINGS (Absolute values)

	Min	Max	
Anode			
Peak forward anode voltage (see note 1).....	-	18	kV
Peak inverse anode voltage (see note 2).....	-	18	kV
Peak anode current	-	325	A
Average anode current	-	500	mA
Rate of rise of anode current (see note 3).....	-	1500	A/μs
Anode heating factor.....	-	3.9 x 10 ⁹	VApps

Grid

Unloaded grid drive pulse voltage (see note 4).....	200	-	V
Grid pulse duration	2.0	-	μs
Rate of rise of grid pulse (see note 3).....	180	-	V/μs
Peak inverse grid voltage.....	-	200	V
Loaded grid bias voltage.....	0	-120	V
Forward impedance of grid drive circuit.....	-	500	Ω

Cathode

Heater voltage	6.3 ± 5%	-	V
Tube heating time	3.0	-	min

Environmental

Environmental performance.....	see note 5		
Ambient temperature	-50	+90	°C
Altitude.....	-	3	km
	-	10,000	ft

CHARACTERISTICS

	Min	Typ	Max	
Critical DC anode voltage for conduction (see note 6).....	-	0.3	1.0	kV
Anode delay time (see notes 6 and 7)	-	0.3	0.65	μs
Anode delay time drift (see notes 6 and 8)	-	0.05	0.1	μs
Time jitter (see notes 6 and 9)	-	-	15.0	ns
Recovery time	see graph			
Heater current (at 6.3 V).....	9.6	10.6	11.6	A

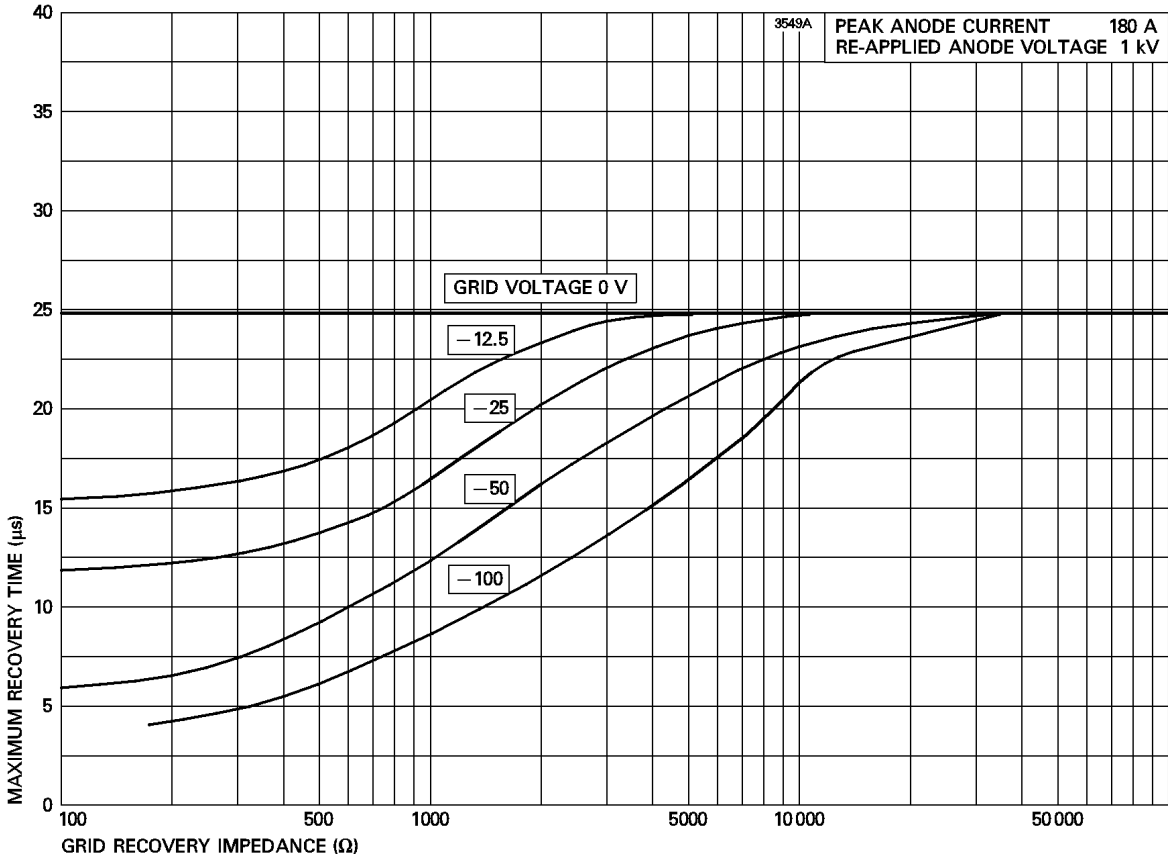
NOTES

1. This is the maximum forward hold-off voltage imposed on the thyratron in a pulse modulator circuit. Tubes are tested at 18 kV peak forward anode voltage, with the charging reactor inductance and pulse forming network capacitance resonant at 1000 pps. For instantaneous starting applications the maximum permissible peak forward voltage is 16 kV; this must not be reached in less than 0.04 s and there must be no overshoot.
2. In pulsed operation the peak inverse anode voltage, exclusive of a spike of 0.05 ms duration, must not exceed 5.0 kV during the first 25 μs after the pulse.
3. This rate of rise refers to that part of the leading edge of the pulse between 25% and 75% of the pulse amplitude.
4. Measured with respect to cathode potential.
5. Original samples of this tube type have been successfully tested to transportation tests specified in BS EN 60068-2-64 test Fh and BS EN 60721-3-2 part 3, section 2.
6. The typical figures are obtained on test using conditions of minimum grid drive. Improved performance can be expected by increasing the grid drive.
7. The time interval between a point on the leading edge of the unloaded grid pulse at 25% of the pulse amplitude and the point where anode conduction takes place.
8. Normally taken as the drift in delay time over a 5-minute run at full ratings between the second and seventh minutes of operation.
9. The variation of firing time measured at 50% of current pulse amplitude.

HEALTH AND SAFETY HAZARDS

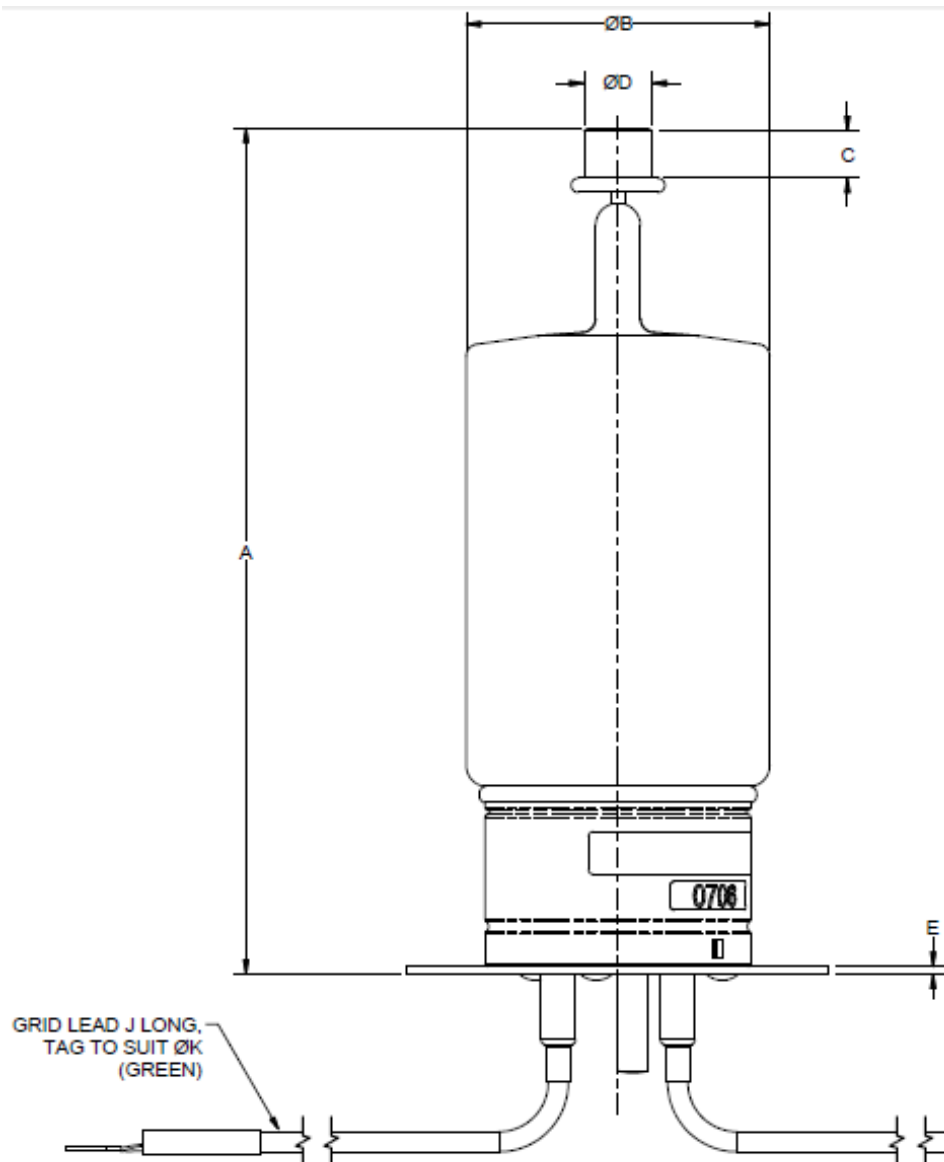
Refer to PSD768198A.

MAXIMUM RECOVERY CHARACTERISTICS



OUTLINE

(All dimensions without limits are nominal)



Ref	Millimetres	Inches
A	184.0 ± 10.0	7.244 ± 0.394
B	65.1 max	2.563 max
C	9.53 min	0.375 min
D	14.38 ± 0.18	0.566 ± 0.007
E	1.6	0.063
F	88.9	3.500
G	76.2	3.000
H	5.0	0.197
J	152.4 min	6.000 min
K	6.0	0.236

Inch dimensions have been derived from millimetres.

Outline Note

The mounting flange is the connection for the cathode and the heater return.

