

DESCRIPTION

Water cooled electromagnet for use with linear accelerator magnetron MG6493.

GENERAL DATA

Electrical (See note 1)

The electromagnet coils should be fed from a constant current power supply.

Magnetic field range, measured		
between pole faces	0 to 175	mT
Typical conditions for 155 mT field:		
current	20	A
voltage (see notes 2 and 3)	20	V

Calibration

An individual calibration chart is supplied with each electromagnet (see below).

Cooling

MG6405 is water cooled via 1/2-inch Polyflow adaptors; it may be connected in series with the magnetron.

Minimum water flow required (see note 4)	5.0 l./min
Inlet water temperature (see note 3)	40 °C max

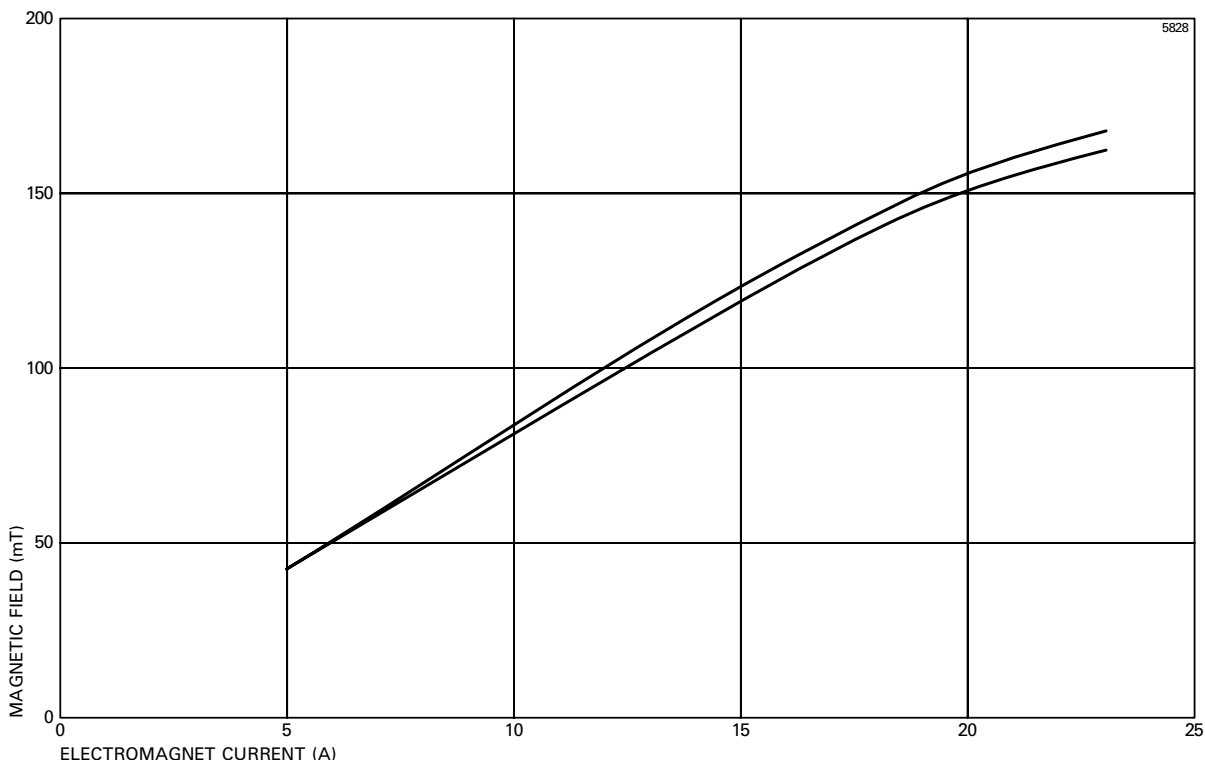
Mechanical

Overall dimensions 260 x 252 x 151 mm nom
 Net weight 16.25 kg approx
 The electromagnet is mounted by means of holes, threaded 5/16 UNC, in the yoke.
 An AFC mounting facility is provided by four threaded holes on the yoke.

NOTES

1. The DC electrical connections are made via flexible cables to screw clamps on the yoke (see outline). The positive lead goes to the bottom connector and the negative lead to the top connector.
2. The field coil resistance increases after initial switch on, due to heating effects, necessitating an increase in voltage to maintain a constant current.
3. The field coil resistance varies with inlet water temperature.
4. For a water flow of 5 l./min, a pressure of approximately 1.25 kg/cm² is required.

TYPICAL CALIBRATION CHART

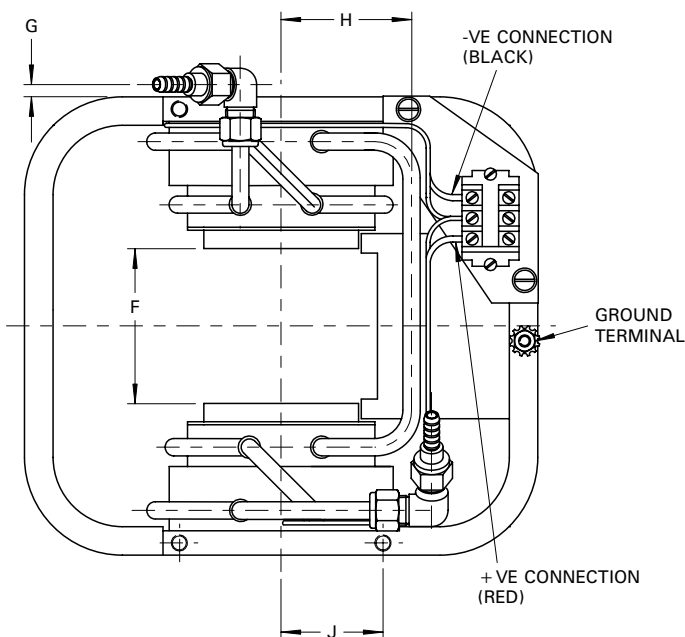
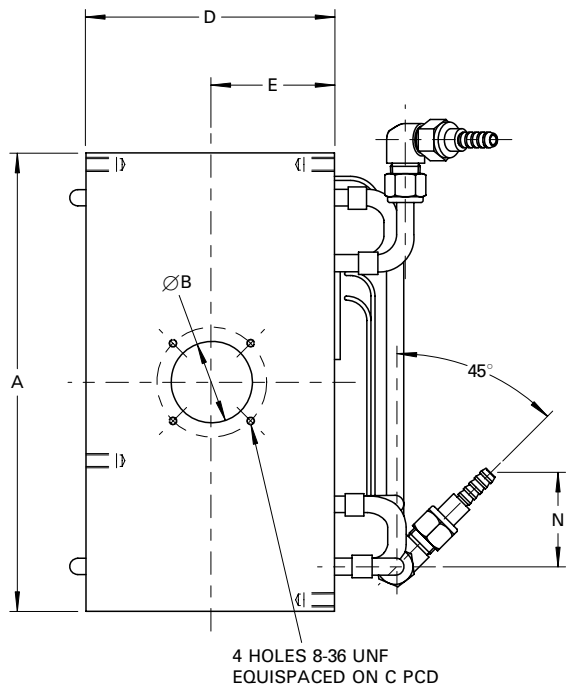
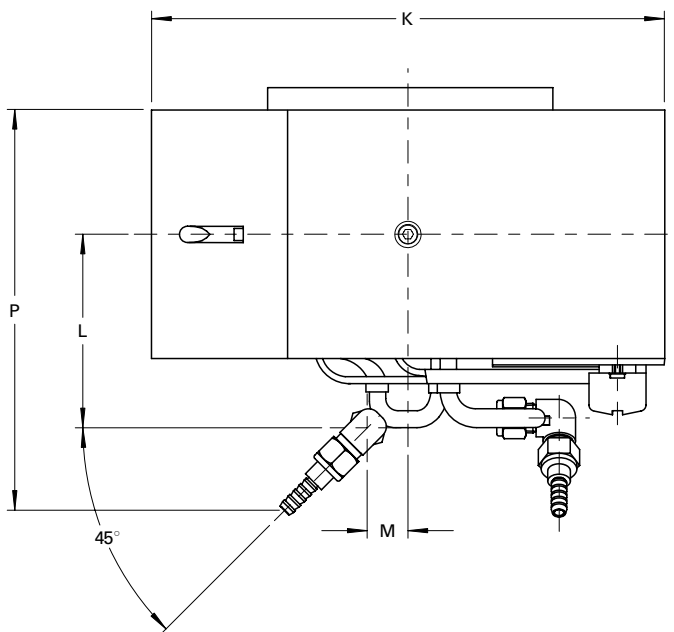


OUTLINE

(All dimensions without limits are nominal)

Ref	Millimetres
A	225.0 max
B	40.0
C	53.97
D	122.0 max
E	55.5 ± 5.0
F	75.69 ± 0.25
G	5.9
H	64.0
J	50.0 ± 0.5
K	252.0 max
L	95.0
M	20.0
N	45.0
P	200.0

6745B



Whilst e2v technologies has taken care to ensure the accuracy of the information contained herein it accepts no responsibility for the consequences of any use thereof and also reserves the right to change the specification of goods without notice. e2v technologies accepts no liability beyond that set out in its standard conditions of sale in respect of infringement of third party patents arising from the use of tubes or other devices in accordance with information contained herein.